

# LoCa® 广州龙创电子科技有限公司

## Guangzhou LongChuang Electronic Technology Co., Ltd

地址: 广州市番禺区洛浦街东乡村民安路8号3号楼五层 网址(Web):www.gzclcd.com

Add:5th,3rd building,Minan road NO.8,Dongxiang village,Luopu street,Panyu,Guangzhou


电话(Tel): 0086-020-34890057 Email:sales04@gzclcd.com Contact:Lillian Xu(+86 18675956820)

### 迷你防水型恒压电源(IP67 Constant Voltage MINI Power Supply) M-36



#### 产品特点(Features):

1. 恒定电压输出(Constant Voltage design).
2. 输入电压(AC input Voltage range)175-265Vac.
3. 保护功能:短路保护/过载保护/过压保护均可自恢复。  
(Protections:Short circuit/Over load/Over current/Over Voltage)
4. 常温自冷(Cooling by Convection or Forced air)
5. 100% 满载老化(100% full load burn-in test)
6. 高可靠性(High Reliability)
7. IP67防水等级(IP67 waterproof grade)

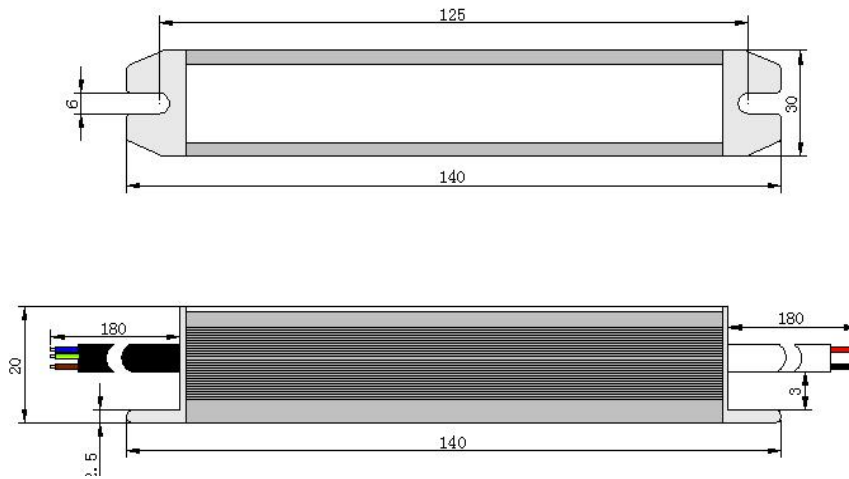
IP67 CE 

| 规格                  | SPECIFICATION                | M-36-12   | M-36-24    |
|---------------------|------------------------------|---|------------|
| 输出<br>OUTPUT        | 输出电压<br>Rated DC voltage     | 12V±0.5V  | 24V±0.5V   |
|                     | 电流范围<br>Current range        | 0-3A  | 0-1.5A     |
|                     | 额定功率<br>Rated Power          | 36W   |            |
|                     | 纹波及噪声<br>Ripple & Noise      | ≅ 120mVp-p  | ≅ 240mVp-p |
|                     | 输出上升时间<br>Setup,Rise time    | 50ms/230VAC   |            |
|                     | 输出保持时间<br>Hold up time       | 20ms/230VAC   |            |
| 输入<br>INPUT         | 输入电压范围<br>Voltage range      | AC175-265V  |            |
|                     | 频率<br>Frequency range        | 50-60HZ   |            |
|                     | 效率<br>Efficiency(Tpy.)       | ≅ 82%   | ≅ 85%      |
|                     | 功率因素<br>Power factor         | 0.65(max)   |            |
|                     | 漏电流<br>Leakage current       | 0.25mA/230VAC   |            |
| 保护<br>PROTECTION    | 过流保护<br>Over Current         | 105%-130%<br>保护类型: 打嗝式保护/自恢复<br>Protection type: Hiccup mode    |            |
|                     | 短路保护<br>Reset After Shutdown | 短路保护: 自恢复<br>after the fault has been removed                   |            |
| 使用环境<br>ENVIRONMENT | 工作温度<br>Working TEMP.        | -25℃-45℃  |            |
|                     | 存储温度<br>Storage TEMP.        | -25℃-80℃  |            |
|                     | 相对湿度<br>Working Humidity     | 0--100%   |            |
|                     | 振动<br>Vibration              | 10-500HZ,2G 10min/1cycle,preiod for 60min,each along X,Y,Z axes |            |
|                     | 温度系数<br>TEMP. coefficient    | ±0.03%℃ (0-50℃)   |            |

|                       |                              |   |
|-----------------------|------------------------------|---|
| 安规及电磁兼容<br>SAFETY&EMC | 安全标准<br>Safety Standards     | Design refer to LVD EN61347-2-13:2006,EN61347-1:2008                        |
|                       | 耐压<br>With stand Voltage     | I/P-O/P:3KVAC,I/P-COVER:3KVAC,O/P-COVER:500VAC                              |
|                       | 绝缘电阻<br>Isolation Resistance | I/P-O/P:>100M Ohms/500VDC/25°C/70% RH                                       |
|                       | 电磁兼容<br>EMC                  | EN55015:2006/A2:2009,EN61000-3-2:2006/A2:2009,EN61000-3-3:2008,EN61547:2009 |
| 其它<br>OTHERS          | 寿命<br>MTBF                   | 50KHours (25°C)   |
|                       | 尺寸<br>Dimension              | 140*30*20mm(L*W*H)不含线 (Without line)  |
|                       | 重量<br>Weight                 | 145g  |

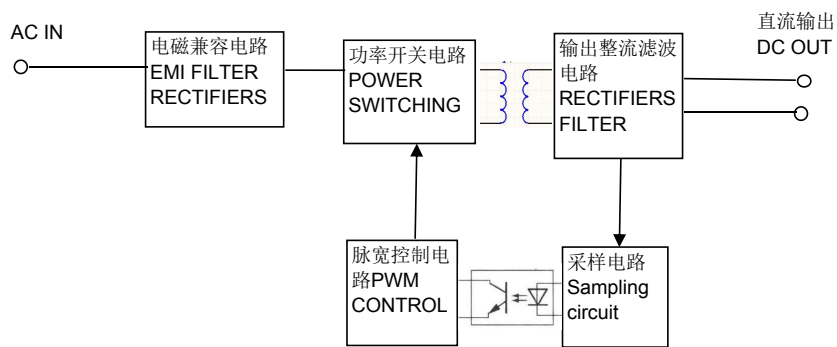
安装尺寸(单位:mm)

Configuration dimensions(Unit:mm)



组成结构图:

Circuit diagram:



带载曲线

Diagram:

